



# WASTAP®

Sampler for in situ water and gas sampling

## Introduction

Water and gas sampling with the CPT method. Apart from determining the soil stratigraphy in situ by measuring different soil parameters, the CPT method is also suitable for taking water and gas samples from the soil. A.P. van den Berg developed a sampler which is easily installed in the standard A.P. van den Berg static cone penetrometers. With some adaptations it can also be used in conjunction with conventional drill rigs.

*"Van den Berg  
in  
every field"*

## How the WASTAP® works

The WASTAP® is pushed to the desired test level using standard  $\varnothing 36$  CPT rods or  $\varnothing 56$  casing rods. At the test level the WASTAP® is pulled up somewhat, so that the WASTAP's filter is opened. Then sampling can commence.

## Water sampling with the WASTAP®

The WASTAP® provides two methods for water sampling: one in which the sample is pumped up to the surface, another in which the sample is collected in a container in the sampler.

1. In the first method an electrical or hand-operated vacuum pump is used to pump the water up to the surface from the test depth through a silicone hose. The maximum test depth is restricted to about 8 metres below ground water level (see figure 1).

2. In the second method a 0.5 litre container is used. At the desired test depth the container is lowered into the WASTAP® and locked into position. Then the filter is opened and sampling can commence (see figure 2).

## Gas sampling with the WASTAP®

In unsaturated soils gas can be sampled, either by pumping it up the same way as water, or by letting it escape by its natural pressure.

## WASTAP® sampling using a drill rig

The WASTAP® is also suitable for use in conjunction with a drill rig provided with a pushing cylinder. The WASTAP® can be connected to the drill string by means of a special adapter. A pushing piece is required to push the drill string into the soil.

## WASTAP® sizes and weights

WASTAP®		
Type	Without container	With container
Weight (kg)	10	11.5
Length (mm)	975 (37 1/2")	680 (26 1/8")
Diameter (mm)	56 (2 1/8")	56 (2 1/8")

We reserve the right to change specifications without notice.

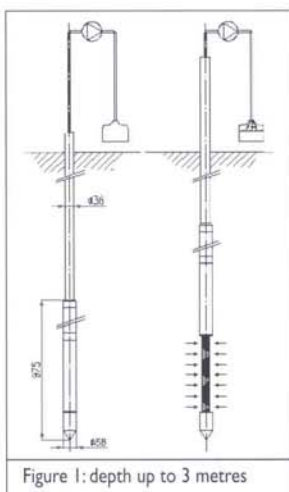


Figure 1: depth up to 3 metres

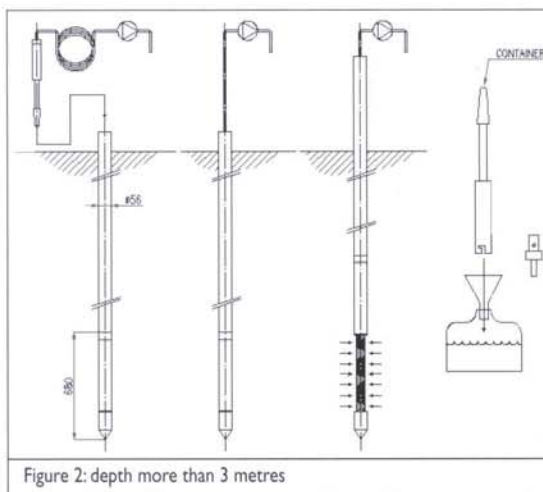


Figure 2: depth more than 3 metres



### A.P. van den Berg Machinefabriek B.V.

IJzerweg 4, P.O. Box 68  
8440 AB Heerenveen, The Netherlands  
Phone +31 (0)513 63 13 55  
Fax +31 (0)513 63 12 12  
E-mail [info@apvdberg.nl](mailto:info@apvdberg.nl)  
<http://www.apvdberg.nl>

### A.P. Van den Berg, Inc.

P.O. Box 654, 109 Greenwood Circle  
Milford, PA 18337 USA  
Phone +1 570 296 8224  
Fax +1 570 296 4886  
E-mail [apvdberg@ptd.net](mailto:apvdberg@ptd.net)